

TH-1040-CT Ceiling Mount



The TH-1040-CT will be introduced as 2 product: short configuration and long configuration.

Height adjustment range

(measured from ceiling to centre of display)

Short configuration: 400mm to 900mm

Long configuration: 900mm to 1800mm

Weight Capacity

25kg displays

Mounting hole pattern

100x100, 200x100, 200x200

Features

Infinite adjustment within the height adjustment ranges

Sturdy adjustment mechanism tightened with allen key

Clean pole look (no screw holes down the sides)

Donut type mount head connector allows 360 degree rotation

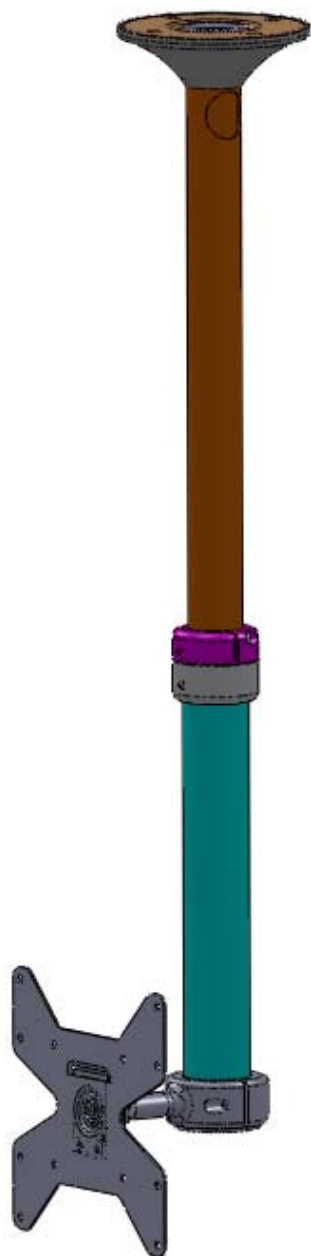
VESA Ball Mount provide 40 degree ball joint movement

Safety features to stop mount head from sliding off the pole and the poles from sliding past each other

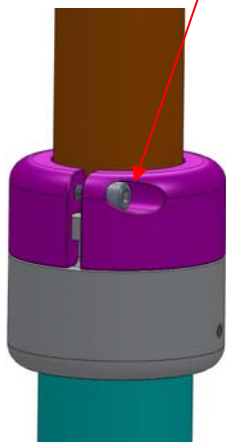
Strong steel and cast aluminium design

Back to back conversion available

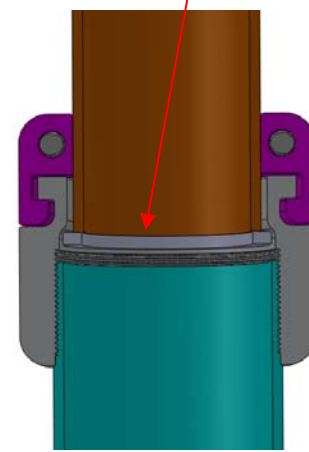
True internal cable management through the tubes



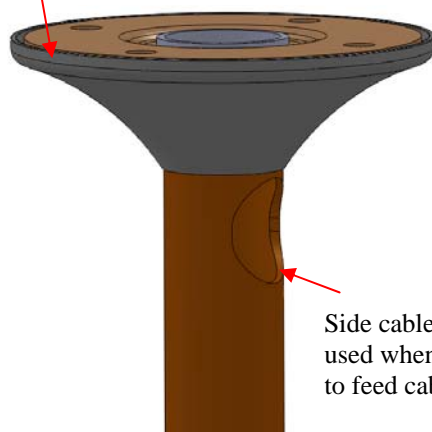
Adjustment set with 2 screws tightened by an allen key



Safety plate will stop pole from falling if adjustment mechanism was not set properly



Plastic cover to hide ceiling plate



Side cable access hole can be used when it's not possible to feed cables out the top

Safety base stops mount head falling off even if the mount head was not tightened properly and starts slipping

