

POS & ECR Checkout Scale

# PDN series



## Checkout Scales for POS/ECR System

Low profile and space-efficient design. Bright LED display with good visibility.



Connected to POS/ECR system



Tilt Display, Low profile



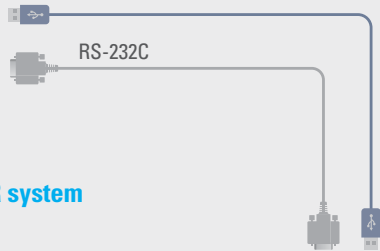
Easy to Read with Bright LED Display

## FEATURES



### > Interface & Power Source

USB for Power Source and Communication



### > Connected to POS/ECR system

### > PDN-R Remote Dual Display



Rear Display

Up to 2 m

### > Square Edge Tray (Option)



### > Display

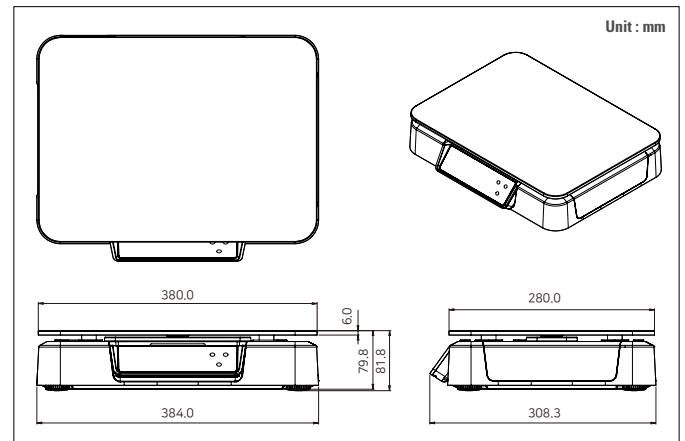
Tilt Display (Option to sit flush or tilt outwards)  
Bright LED Display

Side/Rear Display

## SPECIFICATION

Model	PDN		
	Dual Interval		
Capacity (kg)	Max. 3/6	Max. 6/15	Max. 15/30
Readability (g)	1/2	2/5	5/10
Internal Resolution	1/60,000	1/60,000	1/60,000
External Resolution	1/3,000	1/3,000	1/3,000
Max. Tare (kg)	-2.999	-5.998	-14.995
Display	98 x 28 mm, 6 Digit LED		
Remote Display	94 x 28 mm, 6 Digit LED		
Symbols	STABLE, ZERO, TARE, kg		
Keys	ZERO, TARE, FUNCTION		
Functions	Weighing, Interface Protocol		
Dimensions	384(W) x 308.4(D) x 81.8(H) mm		
Platter Size	380(W) x 280(D) mm		
Weight	5.6 kg		
Power	USB Cable 5V		
Operating Temperature	-10°C ~ +40°C		
Option	Square Edge Tray, PDN-R Remote Dual Display		

## DIMENSION



PDN Basic Type



PDN-R Remote Dual Display

Ver. 1.0.1