



Flat screen wall mount | tilt **TH-2250-VTP**  
Fits most displays from 20" to 47"



Mounting hole pattern:  
50mm x 50mm  
75mm x 75mm  
100mm x 100mm  
200mm x 100mm  
200mm x 200mm



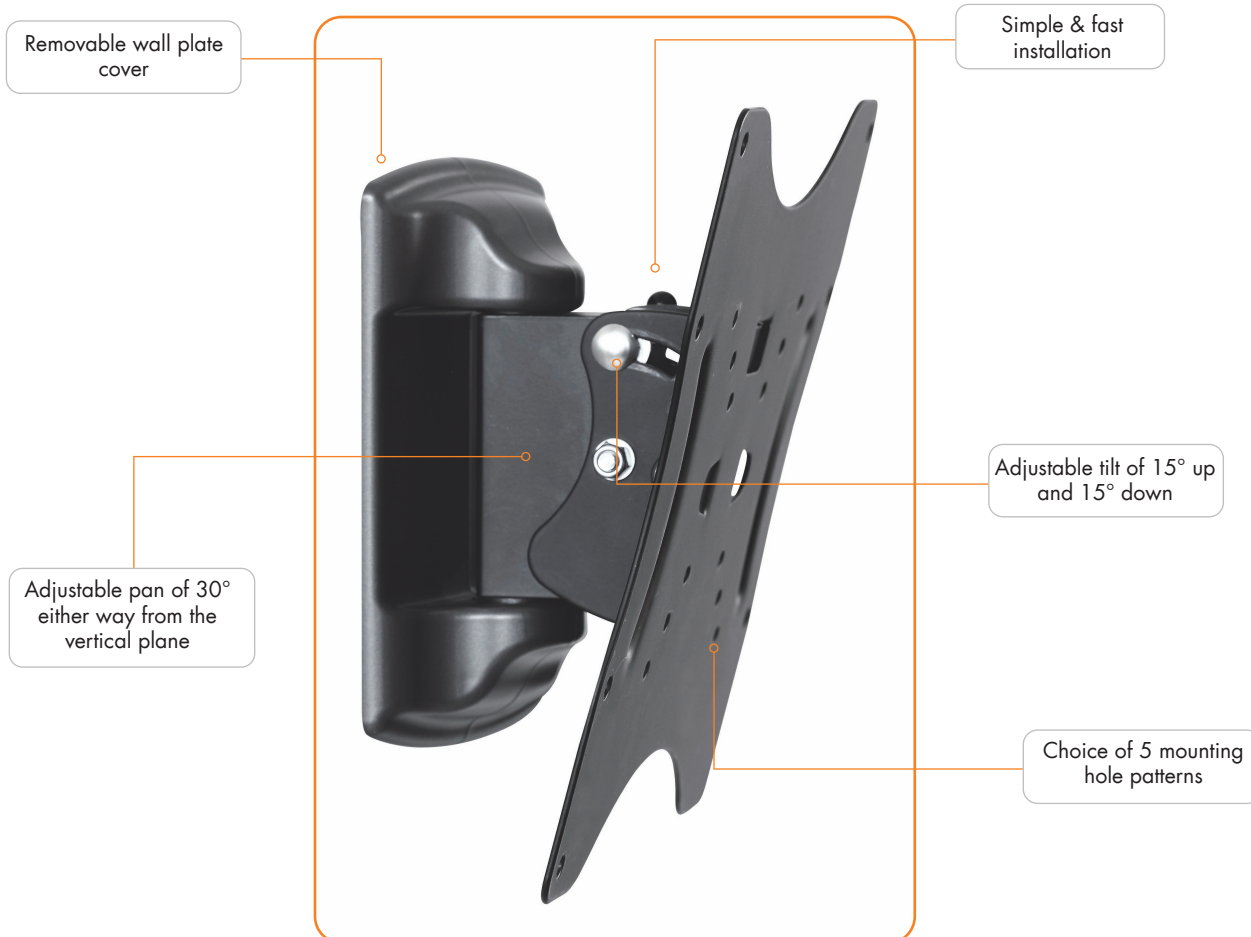
Maximum weight carrying capacity:  
30kg (66lbs)

The TH-2250-VTP LCD and plasma tilt and pan mount offers innovative yet easy to use technology. Installation is quick, simple and hassle-free, with all mounting hardware included and compatibility with five different VESA mounting hole patterns. Screen attachment or removal is effortless, using the quick attachment mechanism with the option of engaging the enhanced security feature. Once attached, viewing angle impact can be optimised using simple tool less tilt and pan adjustment features.



### Product key features:

- Two-piece design for simple and easy installation
- Adjustable tilt of 15° up and 15° down
- Adjustable pan of 30° either way from the vertical plane
- Quick release mechanism for fast display attachment/removal with a security feature
- Distance from wall: 82mm (3.2")
- Removable wall plate cover for a clean professional look
- Comes with all mounting hardware for masonry and timber stud wall installation



Atdec North America [www.atdec.com](http://www.atdec.com)  
Atdec Global [www.atdec.com.au](http://www.atdec.com.au)

## Product information, single unit

Load capacity	Material	Color
30kg (66lbs)	Steel	Black

## Package information, single unit

Size	Ship weight	UPC code	Contents
26cm x 22.5cm x 9cm (10.25" x 8.9" x 3.5")	1.82kg (4lbs)	881493005693	All hardware required for installation supplied

## Package information, master pack

Size	Ship weight	UPC	Units per master pack
47cm x 27cm x 37.5cm (18.5" x 10.6" 14.8")	15.26kg (33.75lbs)	881493005709	8

## Technical drawings

